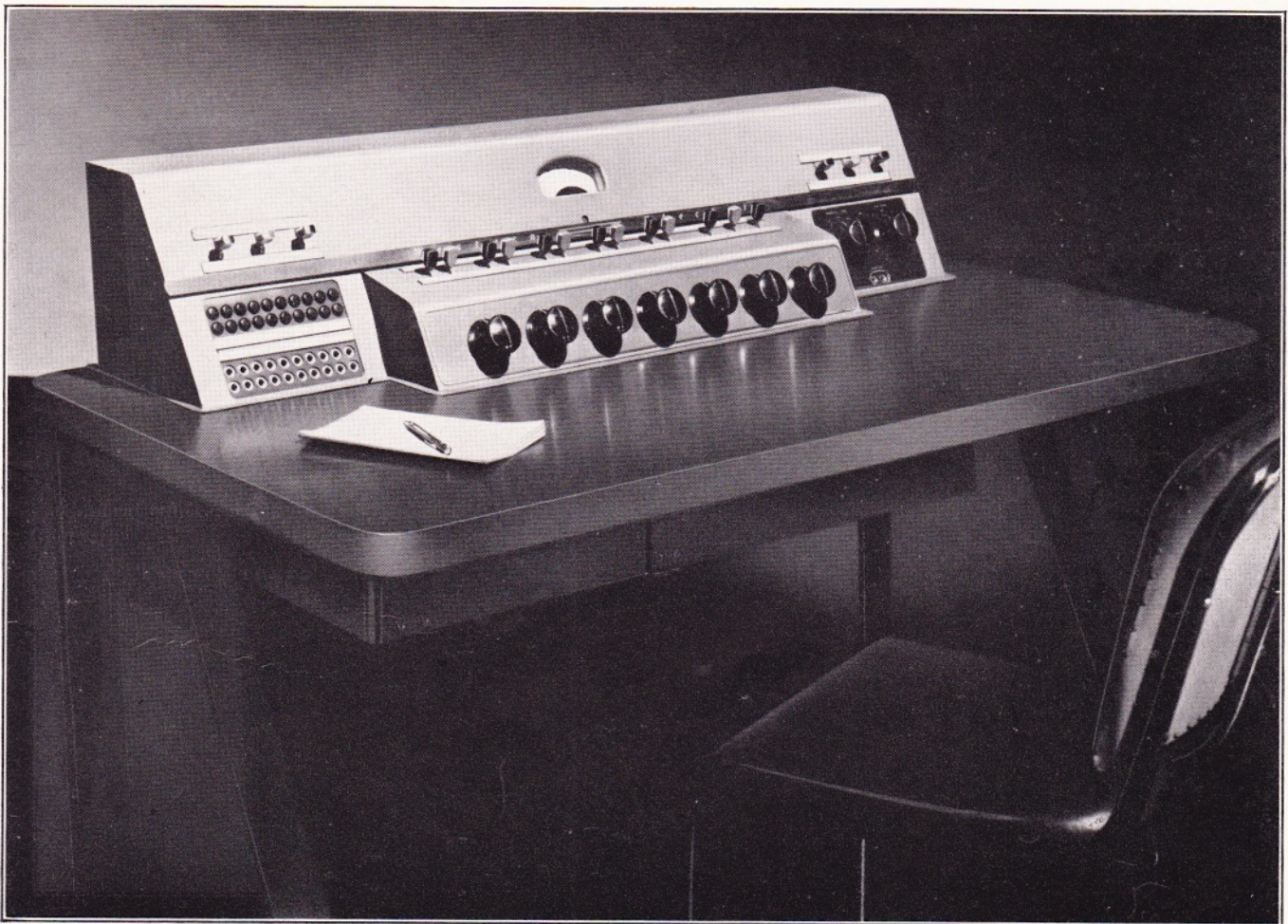

25A
SPEECH INPUT EQUIPMENT

for

**HIGH QUALITY
BROADCASTING**



Western Electric

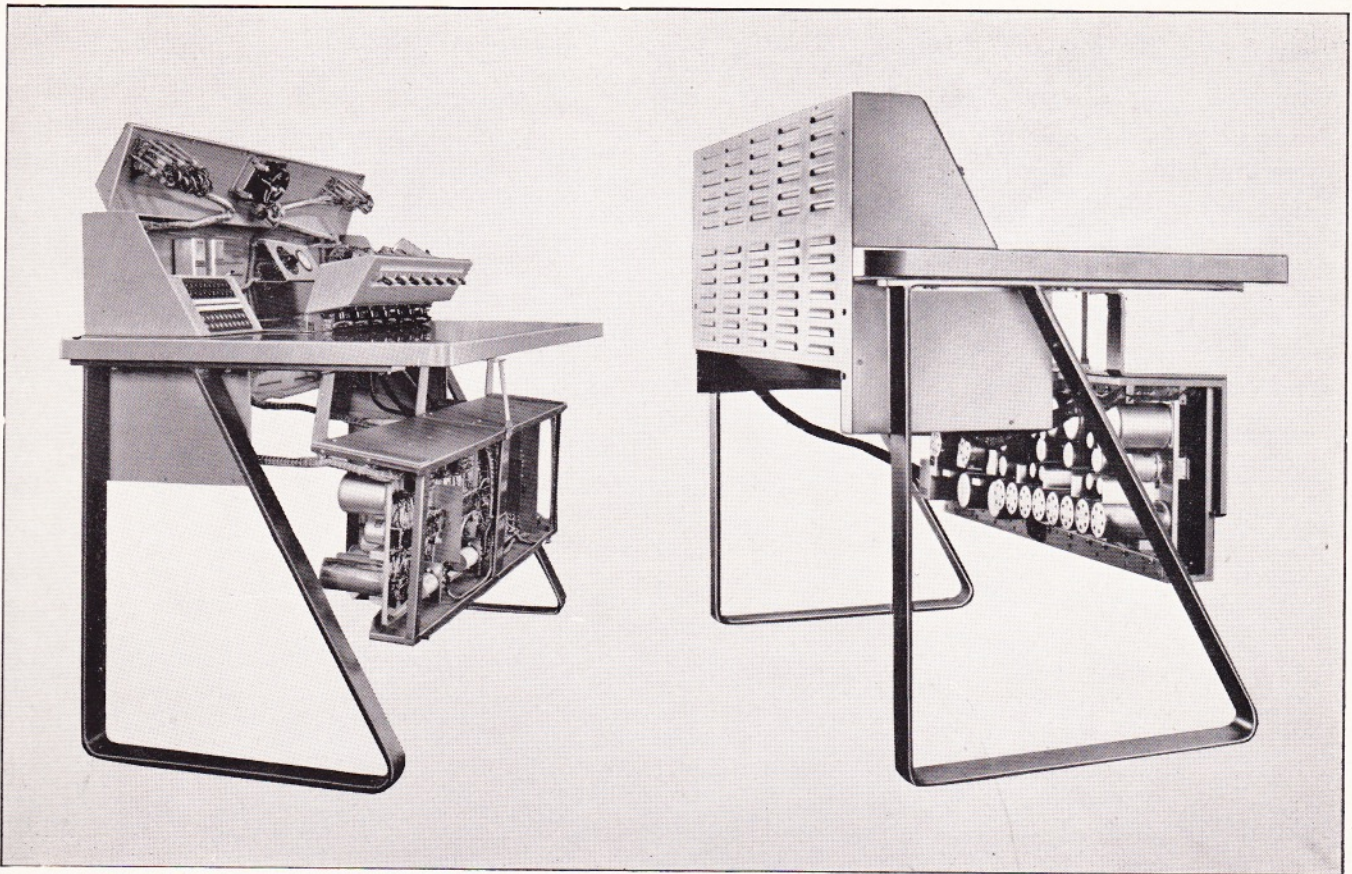


FIG. 1. TOP AND FRONT ARE HINGED ON WESTERN ELECTRIC 25A CONSOLE, AND AMPLIFIERS SWING DOWN FOR EASY INSPECTION

A SPEECH INPUT CONSOLE

A Highly Flexible Design Capable of Handling Two Main Channels Simultaneously

SEVERAL basically new ideas in speech input console design and operation have been built into the Western Electric 25A equipment. This console was designed by Bell Telephone Laboratories for use at broadcast stations using FM transmission or at AM stations planning to provide for FM at some future time. Accordingly, high-fidelity service for FM broadcasters is provided by the 25A's uniform, noise-free, and distortionless operation over a 15,000-cycle range.

The 25A design is greatly simplified as to mounting and installation, requiring only a minimum of effort to put the two fully assembled and wired units into service.

The main unit, shown in Figs. 1 to 4, houses two complete high-quality main amplifier channels, capable of simultaneous operation on different programs without interference or cross talk. Also in this

desk console are pre-amplifiers, mixers, switching, indicating, monitoring, cue feeding, and other control apparatus, arranged and coordinated to provide maximum operating flexibility and convenience.

A compact power supply unit completes the 25A equipment. This is arranged for wall mounting, and is generally located away from the console. The power supply unit, mounted on a swinging frame for easy inspection and maintenance access, contains the power supply units for plate and filament power to all vacuum tubes, and also for the loudspeaker cut-off relays. Thus the need for any other auxiliary power supply is eliminated.

Built into the main housing of the console are eight microphone or low-level transcription input circuits and four microphone pre-amplifiers, with switching keys for ready selection of either of two low-level inputs for each pre-amplifier. These

are shown diagrammatically in Fig. 5. Four of these circuits can be used simultaneously, with four in reserve available at a moment's notice, enabling the engineers to schedule programs of eight sources, or to dispatch two successive four-source programs. Optional addition of 20 jacks, lamps, or jack-sized keys for system control and indicating circuits give the 25A still greater utility.

Especially valuable to stations operating both AM and FM transmitters, or simultaneously originating both local and network programs, are the line facilities of this speech console. The two main amplifier channels, capable of simultaneous operation on separate programs, permit concurrent dispatch of audio signals to each of two transmitters or to out-going lines through the one console, each channel being governed by a separate master gain control for adjusting overall level.

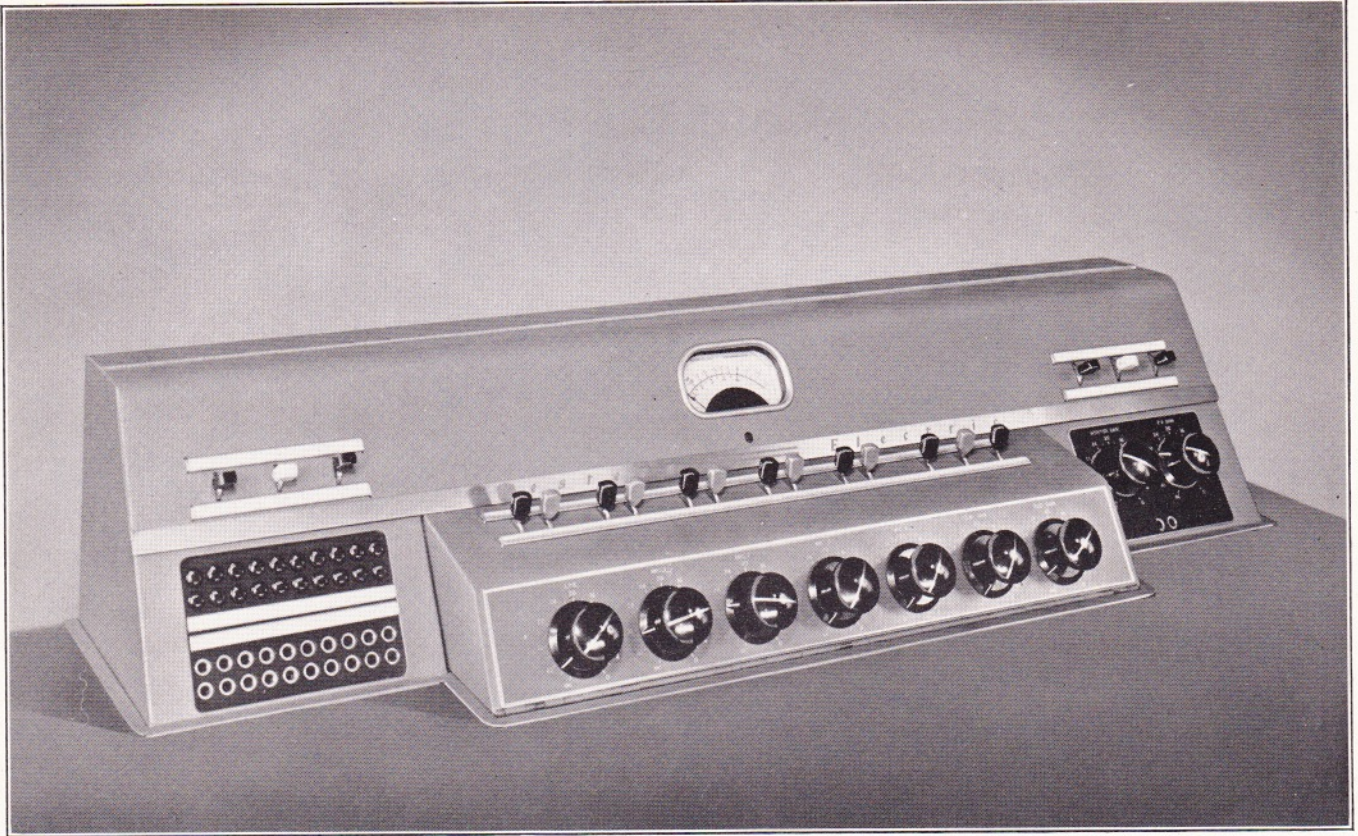


FIG. 2, ABOVE. The seven control knobs across the lower front are, from left to right, line mixer, four microphone mixers, and master gain controls for each of two channels. Talk-back key and line mixer transfer key are above the line mixer.

Above each microphone mixer is the associated input key and mixer transfer key. Three keys above the master gain controls are volume indicator transfer key and the output key for each channel. Three keys at the left switch three lines from cue feed

or monitoring to program receiving position. Knobs at right control monitor gain. FIG. 3, BELOW. Carefully planned design has put every control within easy, natural reach. Rear ventilation carries heat from tubes away from the monitoring operator.



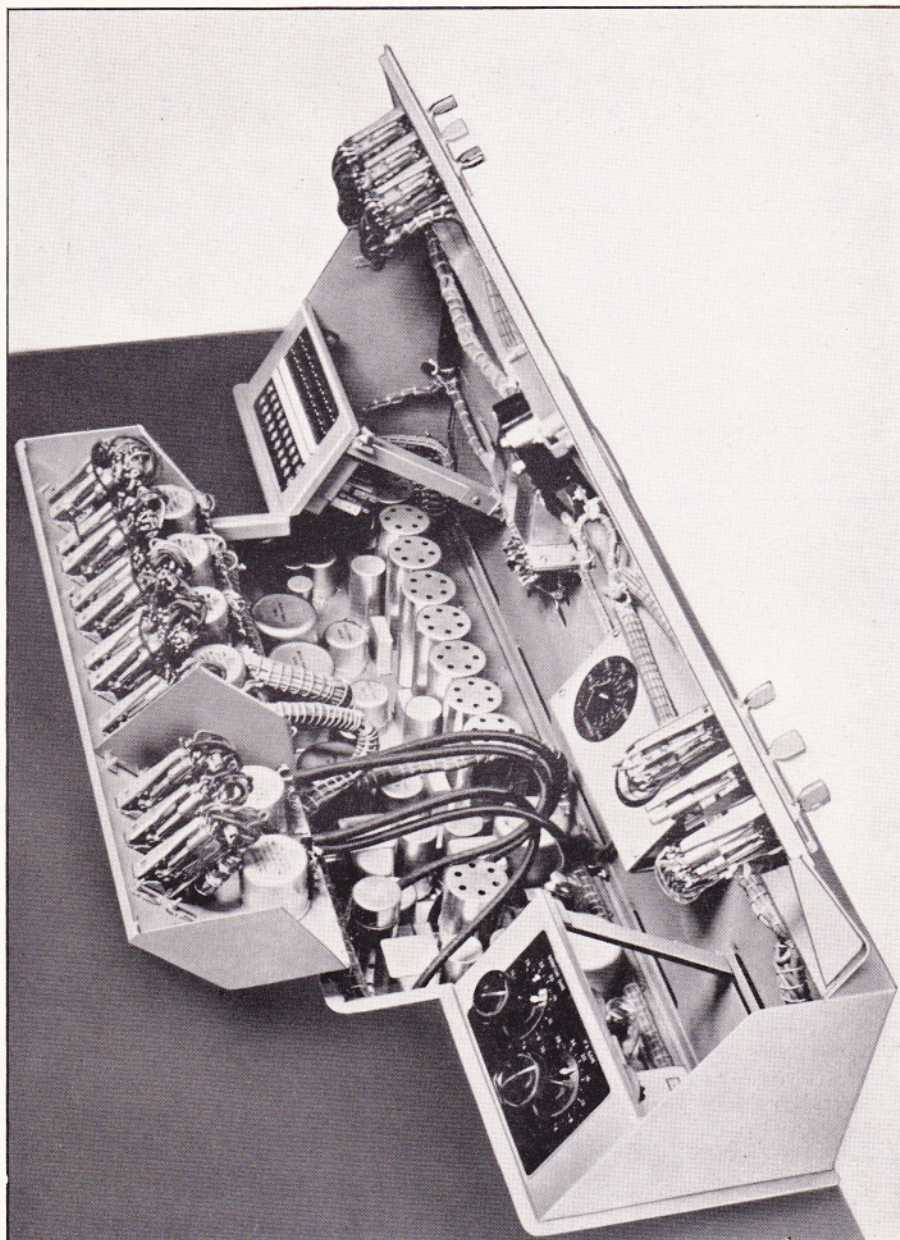


FIG. 4. EVERY PART OF THIS SPEECH INPUT EQUIPMENT IS INSTANTLY ACCESSIBLE

This set-up gains flexibility through two output switching keys which allow either of the two main channels to be fed to either of two outgoing lines.

A remote line input-circuit with a repeating coil feeds incoming line programs to a separate line mixer-control. Ready and rapid selection of remote or network programs is speeded by three remote line switching keys, usable in selecting any one of three lines, for monitoring incoming programs, or for connecting to the mixer input. Patching jacks, with which four additional remote lines can be substituted on a line-for-line basis, make available a total of seven input lines or trunks.

With five mixer potentiometers for individual level adjustment on the line input circuit and on the four microphone input circuits, the 25A makes extensive provi-

sion for blending. These potentiometers operate on either of the two main amplifier channels through a five-channel mixer circuit with individual mixer transfer keys for association with either main amplifier channel input.

Mounted on the console is a volume indicator for visual monitoring of program level to the transmitter line, with a switching key for connecting it to the output of either of the two main channels. In addition, headphone jacks for each channel are mounted on the housing for occasions when both channels are being used and monitored simultaneously, making headphone monitoring necessary on one of the channels. A built-in monitor amplifier which may be connected to either main channel is included for aural monitoring.

The important operations of cueing are

thoroughly controlled. The monitor amplifier feeds cue programs into a studio speaker and the remote line circuits, while a monitor transfer key gives access to programs on either of the two main channels or to the cue transfer key. This key switches between the conditions of monitoring on the remote lines, receiving cue from master control, and feeding cue to remote lines. Operation of a loudspeaker in the same room with a live microphone is automatically prevented by loudspeaker cut-off relays for the booth and two studio loudspeakers. Contacts are also provided for operating equipment outside the system, such as studio warning signs, buzzer cut-offs, and other auxiliaries.

Other important features include an additional circuit with a gain control and a channel switching key to feed either

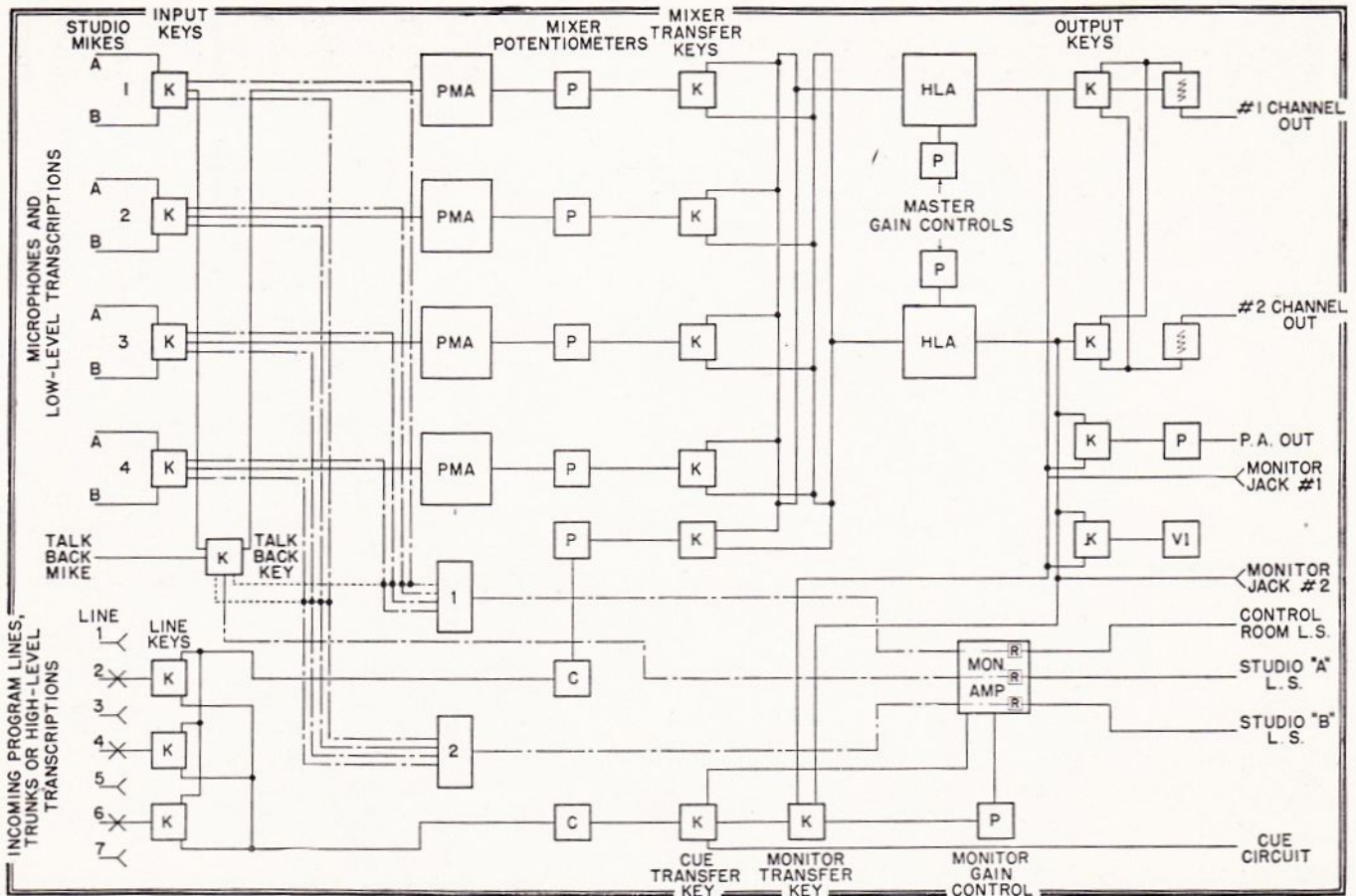


FIG. 5. BLOCK DIAGRAM OF WESTERN ELECTRIC 25A EQUIPMENT WHICH PROVIDES VERSATILE CONTROL OF STUDIO FACILITIES

main channel output to a separate local amplifier system external to the speech input equipment. This is invaluable for sound re-enforcement in large audience studios and similar applications. Normal operation of the amplifier tubes can be checked quickly by a plate-metering circuit with a meter and rotary tap switch for individual plate current measurement.

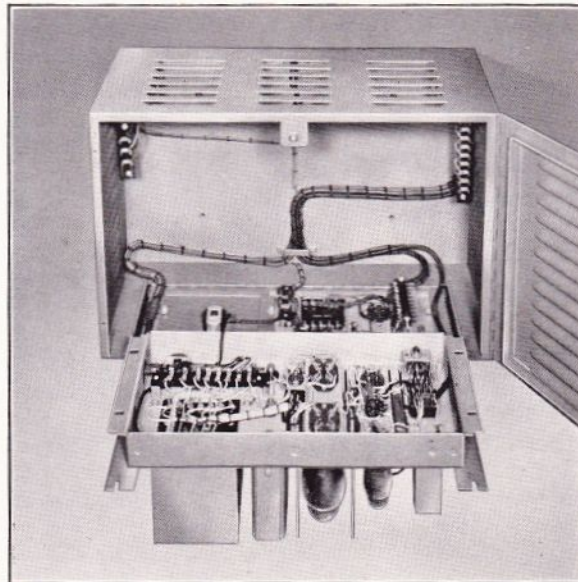
When this equipment was in the planning stage, emphasis was put upon the convenience afforded by low height and small overall size. Accordingly, the dimensions of the console were held down to 36 ins. overall height and a width of 49½ ins. Overall depth is 26½ ins. — of which only 12½ ins. at the rear is the control cabinet. The table top stands 27⅝ ins. from the floor. The separate power supply unit is 15 ins. high, 22¾ ins. wide, and 8¼ ins. deep.

Although extremely useful in small installations, large stations will find the 25A an even greater boon. A number of these consoles, one installed in each studio control room or in a control room common to two studios will, with the help of master coördinating equipment, provide complete speech input facilities for an entire station.

This speech input console should bridge a long-standing gap in broadcasting apparatus, for it is more flexible than table-top units, and less expensive than custom-built equipment.

POWER SUPPLY

The power supply unit is separate and is designed for wall mounting. It is approximately 15 inches high, 28 inches wide and 8 inches deep. It contains the power supply units for plate and filament power to all vacuum tubes and is intended for location near the main unit, but separate from it. Louvers are provided for ventilation and the equipment is mounted on a swinging frame which allows easy access for inspection and maintenance. Power supply is also incorporated for operation of the loud speaker cut-off relays so that no auxiliary power supply unit is necessary for that purpose.



The 25A SPEECH INPUT CONSOLE

provides a whole alphabet of features

- A** Eight microphone or low level input circuits, four of which can be used simultaneously.
- B** Four microphone preamplifiers.
- C** Switching keys, for selecting either of two low level inputs for each preamplifier.
- D** A remote line input circuit, with repeating coils.
- E** Three remote line switching keys, for selecting any one of three lines, for monitor, or for program feed.
- F** Patching jacks, for substituting four additional remote lines, on a line-for-line basis. Thus a total of seven input lines or trunks are available to the operator.
- G** Five mixer potentiometers, for individual level adjustment on four microphone input circuits, and the line input circuit.
- H** A five channel mixer circuit, with individual mixer transfer keys, for switching each of the five mixer potentiometers between the two main amplifier channels.
- I** Two main amplifier channels capable of first grade simultaneous operation on separate programs.
- J** Two master gain controls, one for adjusting the over-all level of each main channel.
- K** Two output switching keys, allowing either of the two main channels to be fed to either of two outgoing lines.
- L** Line isolation pad for each line, which serves to stabilize line impedance, and aids in maintaining high grade transmission.
- M** A volume indicator, for visual monitoring of program level to the lines, with switching key for connecting to the output of either of the two main channels.
- N** Jacks for individual head phone monitoring on each of the two main amplifier channels.
- O** A monitor amplifier for aural monitoring, with the booth loudspeaker, of programs on the two main amplifier channels, on the incoming line circuits, or on an external cue feed circuit from master control; also for feeding cue programs to the studio speaker and to the remote line circuits.
- P** Monitor transfer key, giving the monitor amplifier input access to programs on either of the two main amplifier channels, and to the cue transfer key.
- Q** Cue transfer key, for switching between the conditions of monitoring on the remote lines, receiving cue from master control, and feeding cue to the remote lines.
- R** Gain control for monitor amplifier.
- S** Loudspeaker cut-off relays, for the booth and two studio loudspeakers, with strapping board for interlock with microphone input keys to automatically prevent operation of loudspeaker in same room with a live microphone.
- T** Contacts for closing control circuits to relays outside this equipment for operation of studio warning signs, buzzer cut-offs, and other auxiliaries.
- U** A branching circuit, with gain control and channel switching key, for feeding a separate local amplifier system external to this equipment. This is useful for sound reinforcement in large audience studios and for similar applications.
- V** A plate metering circuit with meter and rotary tap switch, for quickly checking individual plate currents, to determine that all amplifier tubes between microphones and broadcast lines are normal.
- W** Power supply for operating loudspeaker cut-off relays.
- X** Space for addition of 20 jacks, lamps or jack-sized keys as required for system control, and indicating circuits.
- Y** Adequate terminal facilities to accommodate incoming and outgoing line and program circuits and power supply feeds.
- Z** Talk-back control key for switching one microphone input circuit and the loudspeaker control circuits for talk-back from the control room into the associated studio.

OK FOR FM

DISTRIBUTOR IN THE UNITED STATES

Graybar

ELECTRIC COMPANY

Executive Offices: 420 Lexington Avenue, New York 17, N. Y.

ALABAMA Birmingham	ILLINOIS Chicago Peoria	Flint Grand Rapids Lansing	Durham Winston-Salem	TENNESSEE Chattanooga Knoxville Memphis Nashville
ARIZONA Phoenix	INDIANA Hammond Indianapolis	MINNESOTA Duluth Minneapolis St. Paul	OHIO Akron Cincinnati Cleveland Columbus Dayton Toledo Youngstown	TEXAS Beaumont Corpus Christi* Dallas Fort Worth Houston San Antonio
CALIFORNIA Los Angeles Oakland Sacramento San Diego San Francisco	IOWA Davenport Des Moines	MISSOURI Kansas City St. Louis	OKLAHOMA Oklahoma City Tulsa*	UTAH Salt Lake City
COLORADO Denver	KENTUCKY Louisville	NEBRASKA Omaha	OREGON Portland	VIRGINIA Richmond Roanoke Norfolk
CONNECTICUT Hartford New Haven	LOUISIANA New Orleans	NEW JERSEY Newark	PENNSYLVANIA Allentown Harrisburg Philadelphia Pittsburgh Reading	WASHINGTON Seattle Spokane Tacoma
DIST. OF COLUMBIA Washington	MAINE Portland	NEW YORK Albany Buffalo New York Rochester Syracuse	RHODE ISLAND Providence	WISCONSIN Milwaukee
FLORIDA Jacksonville Miami Orlando Tampa	MARYLAND Baltimore	NO. CAROLINA Asheville Charlotte		
GEORGIA Atlanta Savannah	MASSACHUSETTS Boston Springfield Worcester			
	MICHIGAN Detroit			

*Sales Office

A NATIONAL ELECTRIC SERVICE

DISTRIBUTOR FOR CANADA AND NEWFOUNDLAND

Northern Electric Company

LIMITED

General Offices: 1620 Notre Dame Street, W. Plant: 1261 Shearer Street,
Montreal, P. Q., Canada

TWENTY-THREE BRANCHES FROM COAST TO COAST